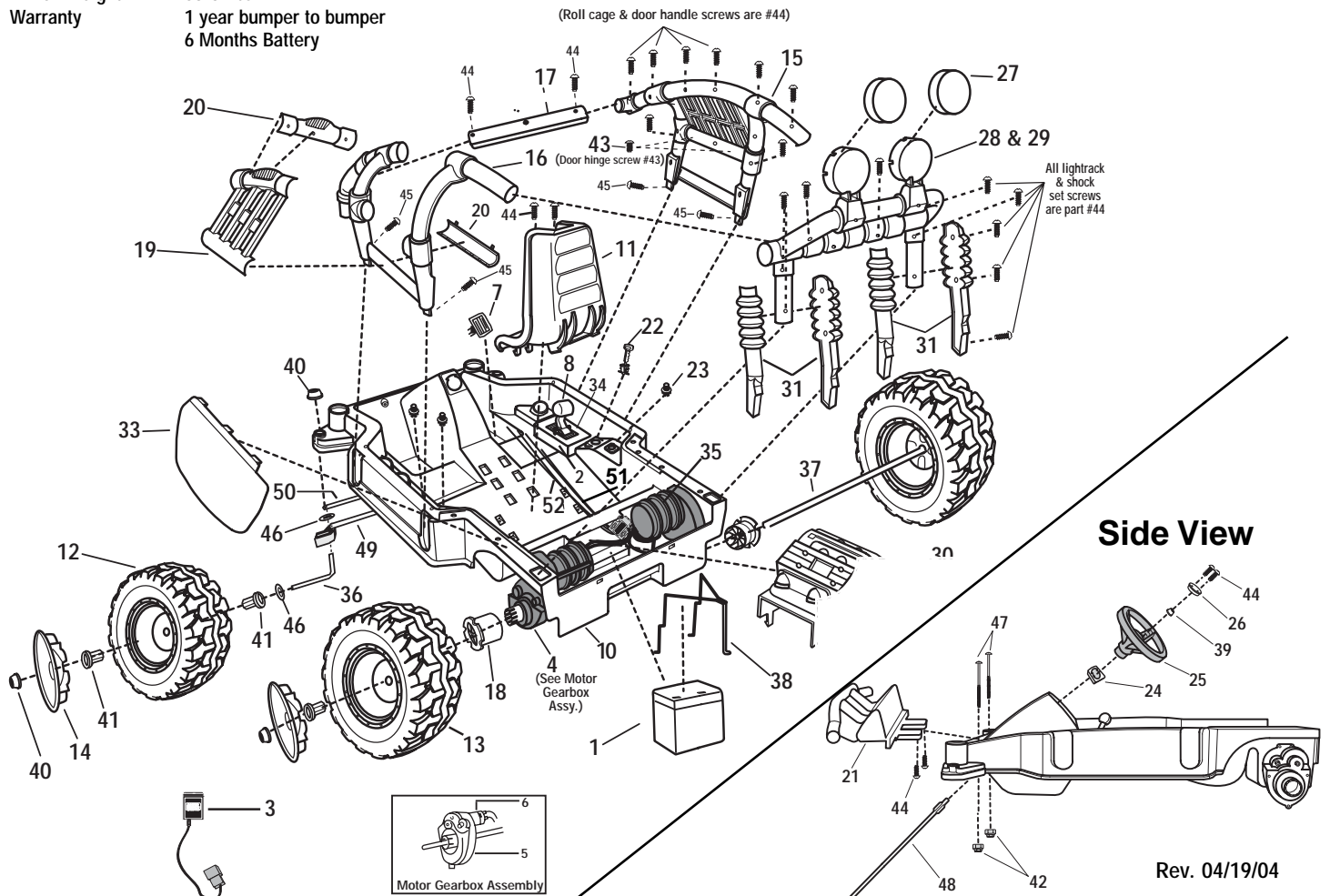


Age Range: 3-7 Yrs.
 Weight Limit: 65 Lbs.
 Surfaces: Hard surface and Grass
 Speed: Forward 2.5 & 5.0 MPH
 Reverse 2.5 MPH
 Colors: Silver Body
 Red & Black Roll Cage
 Black Tires
 Intro: 2000
 Suggested Retail: \$229.99
 Box Dimensions: 38.75" x 21" x 24.6"
 In-Box Weight: 58.8 Lbs.
 Warranty: 1 year bumper to bumper
 6 Months Battery

73180-9993

Eliminator

Advanced Series 12 Volt



Item No.	Description	Part No.	Qty.	Item No.	Description	Part No.	Qty.	Item No.	Description	Part No.	Qty.
Working / Electrical Parts											
1	Battery 12V	00801-0638	1	22	Key Housing N/A	74460-9369	1	45	#8 x 3/4"	0405-2073	40
2	Switch Singalux (rocker type) (Shifter)	00801-0972	1	23	Dash Knob	74460-2199	3	46	#8 x 1-1/2" Plascrow	0801-0308	4
		00801-0923	2	24	Steering Wheel Collar/Stop	73180-2339	1	47	7/16" Washer	0801-0196	4
3	12 Volt Probe Charger	00801-0972	1	25	Steering Wheel	73180-2319	1	48	1/4"-20 x 2-3/4" Bolt	Available in Hardware bag	
4	#7 Motor GearBox Assy.	00968-2910	2	26	Steering Wheel Button/Cap	73180-2329	1	49	Steering Column	74790-4239	1
5	#7 Gearbox	74310-9529	2	27	Light Cover	Order Chrome Parts Bag		50	Steering Linkage	74790-9219	1
6	Motor w/Pinion	00968-2701	2	28	Light Rack front and rear	73180-9189	1	51	Crossbar	74790-4229	1
7	Footboard Assembly	73180-9389	1	30	Decorative Engine	4000-0285	1	52	Channel Cover (Rear)	73180-2289	1
8	Shifter Assembly	74310-9239	1	31	Shock Set (left and right)	73180-951A	1		Channel Cover (Front)	73180-2279	1
Plastic Parts											
10	Vehicle Body (N/A)	73180-2109	1	32	Fender Set	73180-9029	1	Parts Not Shown			
11	Seat	74790-2309	1	33	Shifter Cover	73180-2299	1	Owner's Manual	73180-0920	1	
12	Front Wheel	74790-2469	2	34	Motor Cover (Hi-Eff)	74750-2359	2	Large Parts Bag molded pts N/A	73180-9039	1	
13	Rear Wheel	74790-2459	2	Hardware							
14	Hubcap	Order Chrome Parts Bag		36	Front Axle	74790-4509	2	Chrome Parts Bag	73180-9249	1	
15	Rollcage / Right	73180-9069	1	37	Rear Axle (length 32") N/A	74790-4519	1	Small Parts Bag (purch parts N/A)	73180-91391		
16	Rollcage / Left	73180-9049	1	38	Battery Retainer	74790-4019	1	Decal Sheet	73180-0310	1	
17	Sound Bar	73180-9449	1	39	.354 Cap Nut (Black)	0801-0604	1	Footswitch (Plunger type N/A00801-0933)		1	
18	Wheel Driver, 10 rib	74460-2249	2	40	.437 Cap Nut (Black)	0801-0226	6	Mylar Black Decal Sheet	73180-0320	1	
19	Door	Order Chrome Parts Bag		41	Hex Bushing	73233-2559	6	Hardware	73180-9279	1	
20	Door Handle / Hinge Set	73180-2999	1	42	1/4" Nyloc Nut	Order Hardware bag		Pw Emblem	74460-9069	1	
21	Brushguard	73180-2129	1	43	#8 x 1/2" Screw	0801-0202	2	Wiring Harness	74790-9699	1	
				44	#8 x 3/4" Screw	0801-0223	10				
					(10 of the 3/4" Screws are factory assembled)						

N/A = Not Available

Bold and Underlined parts are to be purchased and installed by Service Centers only. These items may not be sold directly to consumers by Service Centers or Fisher-Price.

