

78538-9993 Jeep® Wrangler (Blue)

Advanced Series

12-Volt

See Service Bulletin 169

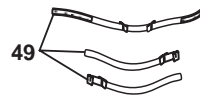
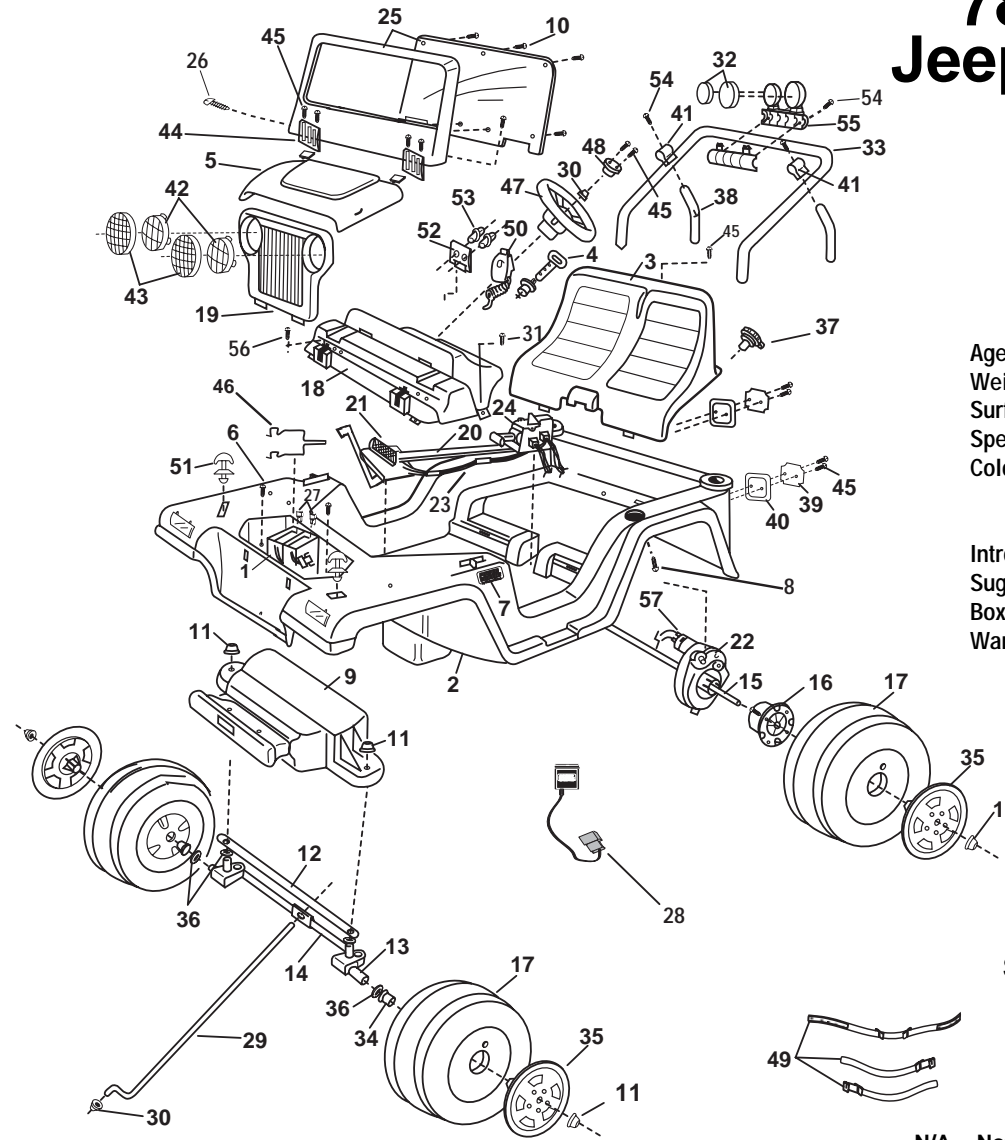
Age Range: 3-7 Yrs.
 Weight Limit: 130 Lbs.
 Surfaces: Hard, Grass & Hills
 Speed: 2.5 / 5.0 MPH
 Colors: Blue Body
 Black Wheels
 Yellow Flame Trim
 Intro: 7-23-98
 Suggested Retail: \$199.99
 Box Dimensions: 50.25 x 19.65 x 33.5"
 Warranty: 90 Days Vehicle
 6 Months Battery

This product is affected by the PW recall announced Oct 1998. Please confirm that the product is modified or remediated in accordance with policy.

Service Bulletin 169

N/A = Not Available

Rev. 09/04/03



| Item No. | Description | Part No. | Qty | Item No. | Description | Part No. | Qty | Item No. | Description | Part No. | Qty |
|-----------|---|-------------------|----------|----------|----------------------------|------------|-----|------------------------|-----------------------------------|-------------------|----------|
| 1 | Battery | 00801-0712 | 2 | 24 | Shifter Assembly | 74310-9239 | 1 | 48 | Steering Wheel Button | 74550-2729 | 1 |
| 2 | Body N/A | 78538-2109 | 1 | 25 | Windshield Assembly N/A | 78538-9769 | 1 | 49 | Seatbelt Set (3 Pcs.) | 74460-5339 | 1 |
| 3 | Seat | 78490-2319 | 1 | 26 | Frame Screw #10 x 3" N/A | 0801-0256 | 2 | 50 | Mic w/Cord | 73233-9479 | 1 |
| 4 | Key/Housing Assembly | 78490-9369 | 1 | 27 | Thermal CDI - 27 Amp. Fuse | 0801-0711 | 2 | 51 | Hood Latch | 78490-9359 | 2 |
| 5 | Hood N/A | 78538-2159 | 1 | 28 | 12 Volt Charger | 00801-0973 | 1 | 52 | Knob Bezel | 74440-2719 | 1 |
| 6 | 1/4" x 1-1/2" Screw N/A | 0801-0578 | 2 | 29 | Steering Column | 78490-4239 | 1 | 53 | Dash Knob | 74020-2719 | 2 |
| 7 | PW Emblem | 74460-9069 | 2 | 30 | .354 Cap Nut (Black) | 0801-0604 | 3 | 54 | #6 x 1-1/2" Screw | 0801-0221 | 4 |
| 8 | 1/4"x1-1/2" Roll Bar Screws (N/A seperately order small parts bag N/A) | 0801-0467 | 2 | 31 | #10 x 1/2" Screw N/A | 0801-0540 | 2 | 55 | Light Rack | 78457-9349 | 1 |
| 9 | Front Module N/A | 784902119A | 1 | 32 | Light Cover | 74460-2169 | 2 | 56 | #10 x 1" Screw (in dash) | 0801-0220 | 2 |
| 10 | Screw #8 x 1/2" | 0801-0202 | 7 | 33 | Sport Bar | 74450-9219 | 1 | 57 | Motor w/ Pinion | 74440-9579 | 2 |
| 11 | .437 Cap Nut (Black) | 0801-0226 | 6 | 34 | Axle Bushing | 74550-2689 | 2 | Parts Not Shown | | | |
| 12 | Cross Bar | 74460-4419 | 1 | 35 | Hubcap | 74440-2579 | 4 | | Decal Main Sheet | 78538-0310 | 1 |
| 13 | Front Axle | 74440-4509 | 2 | 36 | 7/16" Washer | 0801-0196 | 4 | | Literature Bag N/A | 78538-9019 | 1 |
| 14 | Steering Linkage Assy. | 744409419A | 1 | 37 | Gas Cap | 74526-2089 | 1 | | Large Parts Bag N/A | 78538-9249 | 1 |
| 15 | Rear Axle | 74440-4519 | 1 | 38 | Sport Bar Support | 78490-2229 | 2 | | Small Parts Bag N/A | 78490-9359 | 1 |
| 16 | Wheel Driver | 74460-2249 | 2 | 39 | Taillight Lens Set | 73233-2279 | 1 | | #7 Gearbox w/o Motor (Blk) | 00968-2802 | 2 |
| 17 | Wheel | 3800-6799 | 4 | 40 | Taillight Housing Set | 73233-2759 | 1 | | Use & Care Manual N/A | 78538-0920 | 1 |
| 18 | Dash N/A | 78538-2689 | 1 | 41 | Sport Bar Bracket Set | 78490-2179 | 1 | | | | |
| 19 | Grille N/A | 78538-2749 | 1 | 42 | Headlight Lens (Blue) | 74440-2879 | 2 | | | | |
| 20 | Channel Cover N/A | 78538-2389 | 1 | 43 | Headlight Lens Guard | 74460-2339 | 2 | | | | |
| 21 | Footboard Assembly | 78490-9829 | 1 | 44 | Windshield Bracket N/A | 78538-2779 | 2 | | | | |
| 22 | #7 Gearbox w/Motor | 00968-2902 | 2 | 45 | #8 x 1" Screw | 0801-0224 | 11 | | | | |
| 23 | Harness Assembly | 78490-9899 | 1 | 46 | Battery Retainer | 74440-4019 | 1 | | | | |
| | | | | 47 | Steering Wheel | 74440-2379 | 1 | | | | |

Bold and Underlined parts are to be purchased and installed by Service Centers only. These items may not be sold directly to consumers by Service Centers or Fisher-Price.

